

Glidermatic® IGDU

Industrial Door operator



GLIDEROL®
GARAGE DOORS

Opening doors around the world



The fully patented IGDU commercial door operator is available exclusively through Gliderol International Pty Ltd and accredited dealers.

The IGDU is Gliderol's premium operator designed for light industrial B series doors, Broadline Commercial doors and light weight roller shutters.

This uniquely engineered operator includes the patented planetary gearing system enabling increased efficiency and increases the motor life of the unit.

The drive unit may be factory fitted to the door or retro fitted to an existing door making it one of the most versatile operators on the market.

The operator comes complete with an emergency chain hoist to enable easy manual use of the door in the event of a power failure. Furthermore, the anti slip chain guide prevents slipping of the chain when operating in manual mode.

Also included is the manual release switch enabling the operator to convert from electric to manual mode with the simple to use ratchet release system. The release mechanism is installed within easy reach and does not require any ladders to activate, making it safe for all users.

The control box requires standard 240v power supply whilst all control circuits and wiring are 24 Volt DC, thus providing extra safety to all users.

The IGDU offers a range of safety features including safety reversing upon detection of a stationary object which is easily adjusted to suit doors size.

Extra terminals on the circuit board allow for further optional safety devices such as photo cells (PE Beams) and safety edge systems.

Gliderol's specially designed drum wheel enables the unit to be mounted to most brands of roller door.

By simply attaching just three bolts the IGDU can be used to automate manual doors with minimum effort.

Manufactured by
Gliderol Garage Doors

A division of Gliderol
International Pty Ltd
ACN 007 928 949

An Australian
Manufacturing Company

32 Jacobsen Crescent
Holden Hill SA 5088
Australia

Phone: +61 8 8261 9633
Facsimile: +61 8 8261 9700

Opening doors around the world®

Glidermatic® IGDU Industrial Door operator

Features:

- Twin 24 Volts DC motor Operation and service alert Feature.
- Fully Insulated Control Box with three button switch mounted on Control Box to independently control UP, Down and STOP operations of the door.
- Built-in Safety Overload Protection, Delayed Closing Feature.
- Suits a wide range of commercial & industrial doors.
- Terminals for additional Safety devices like photo cells and edge cell available.
- Minimal Field Installation is required for the C/Box which is wall mounted at close proximity to door.

Options:

- Simple Remote control upgrade (includes receiver, PE Beam & 2 x Handsets).
- Photo Electric Safety Beams are available.
- Wide Range of Accessory options readily available for plug-in like Alarm, External Lamp, External LED, External Switch,



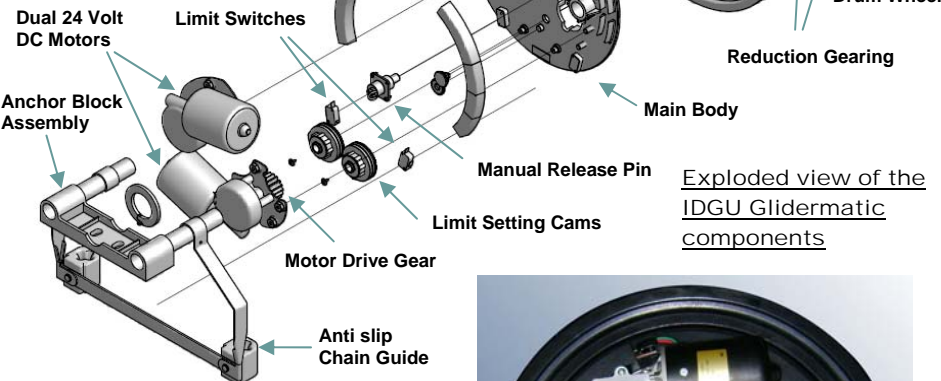
Front View of IGDU Control Box with inbuilt three button Switch to independently control UP, DOWN and STOP operation of the Roller Door.

Diagram Below:
Glidermatic IGDU Manual Override Position



Emergency Chain Hoist

The IGDU unit can be easily put into manual operation in the event of Power failure by simply pushing the manual Override handle to Manual Position located at convenient waist high above the floor without having to climb a ladder to reach the Operator. The unit can be put back to automatic operation by just pushing back the manual override to Auto Position.



Exploded view of the IGDU Glidermatic components



Sectional view of IGDU unit Installed to Alternate drum wheel. Also shown is the emergency chain hoist with anti-slip chain guide.



Front View of IGDU unit showing twin 24Volts DC Motors, Limit setting cams etc..

MINIMUM SIDE ROOM REQUIREMENTS		
Guide Series	Overlap	Sideroom
Standard AA / B	50mm Overlap	225 mm
Commercial Broadline	100mm Overlap	275 mm



GLIDEROL® GARAGE DOORS
Opening doors around the world
A Division of Gliderol International Pty Ltd
ABN 92 007 928 949
An Australian Manufacturing Company

Glidermatic™ operator's quality and dependability have been thoroughly tested and successfully proven with over 30 years of service in the field.

Australian Offices

Head Office
South Australia
Gliderol Garage Doors
32 Jacobsen Crescent
Holden Hill SA 5088
Ph: (08) 8261 9633
Fax: (08) 8266 4712

Service & Installation Centre
51 Jacobsen Crescent
Holden Hill SA 5088
Ph: (08) 8261 9633
Fax: (08) 8266 4712

New South Wales
Manufacturing Complex
45 Sammut Street
Smithfield NSW 2164
Ph: (02) 9725 1033
Fax: (02) 9725 1115

Newcastle
19 Balook Drive
Beresfield NSW 2322
Ph: (02) 4966 8500
Fax: (02) 4966 8511

Wollongong
Unit 2 - 1 Luso Drive
Unanderra NSW 2526
Ph: (02) 4272 3220

Queensland
241 Elliott Road
Banyo QLD 4014
Ph: (07) 3260 9000

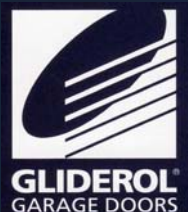
Victoria
23 Kitchen Road
Dandenong VIC 3175
Ph: (03) 9793 5455
Fax: (03) 9706 8492

Geelong
35 Leather Street
Geelong VIC 3215
Ph: (03) 9793 5455
Fax: (03) 9706 8492

Western Australia
Perth
21 Prindville Drive
Wangara WA 6065
Ph: (08) 9409 3000
Fax: (08) 94093200

Bunbury
Unit 7 - 33 Denning Road
Bunbury WA 6230
Ph: (08) 9721 7600
Fax: (08) 9721 7600

Tasmania
C/o 23 Kitchen Road
Dandenong VIC 3175
Ph: (03) 9793 5455
Fax: (03) 9706 8492



A division of Gliderol International Pty. Ltd.
ABN 92 007 928 949.
An Australian Manufacturing Company.

Opening doors around the world®